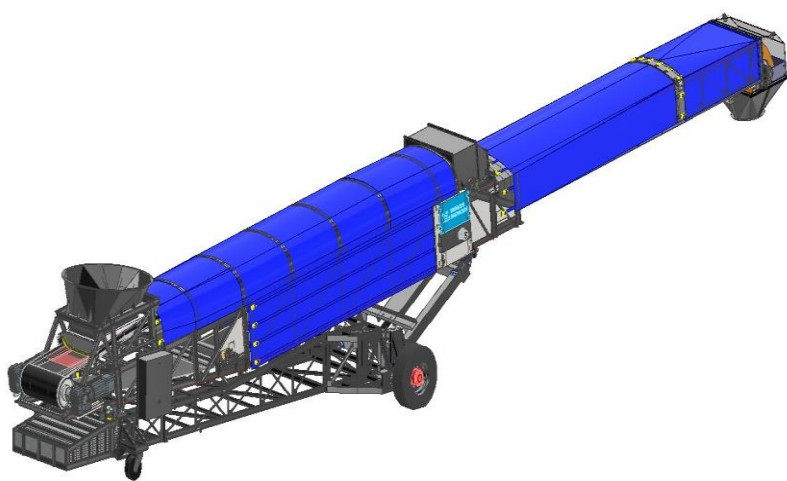




TELESCOPIC GRASSHOPPER



CARACTÉRISTIQUES DU PRODUIT

- The telescopic grasshopper is an adjustable material belt conveyor on wheels, allowing a **wide range of mobility**.
- The minimum length of 15 meters can be extend to 20 meters, offering **plenty of possibilities** to the user.
- With the remote control, any operative can handle easily the grasshopper, **crosswise, lengthwise, on a 360° rotation**, on work position or basic position.
- Powered by 2x11Kw geared motors, a significant nominal flow can be reached.

TELESCOPIC RADIO CONTROL PIVOTABLE GRASSHOPPER

- Manageable
- Combinable
- Adjustable
- Innovative



R. BRUNONE

CONTAINMENT • OPTIMISATION • SAFETY OF CONVEYORS

1, rue de la Cressonnière
27950 Saint-Marcel, France
Tél.: +33 (0)2 32 64 20 20
E-mail: commercial@brunone-innovation.fr